

3M™ RFID Tracking Pad

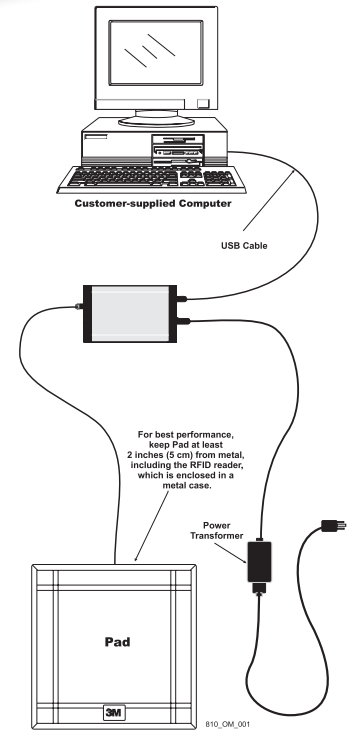
The 3M™ RFID Tracking Pad, a component of the 3M™ RFID File Tracking System, is a small device about the size of a mouse pad. Connected to a computer running the 3M RFID Tracking Pad monitor software, the Tracking Pad can be used to easily program/reprogram tags as well as to check in and check out files.

As an essential component of the system, the Tracking Pad can be placed in high traffic areas such as file rooms, central processing areas, conference rooms, or even offices. Checking in or checking out files using the pad is as easy as placing the file(s) on the Pad. Several files can be checked out at one time, even when stacked together. Audible and visual cues will let you know that the tags on the files have been read and the location information has been recorded into the database. The easy-to-use system helps improve compliance with file room policies and procedures, keeping file locations in the database up to date.

For secure areas, file check in and check out can be performed even when the computer is “locked.” Audible cues will let the user know that the file has been checked in or out.

Components

- 3M RFID Tracking Pad antenna
- 3M RFID Reader
- USB cable – connects the RFID reader to a computer
- Power transformer/powercord



Specifications

USB Cable	to Computer 6.5 ft. (2 m)
Power Transformer Cable	6.5 ft. (2 m)
Tracking Pad Cable	to Reader 16 ft. (4.9 m)
AC Power Cord	6.5 ft. (2 m)
Tracking Pad	8.5 in. x 8.5 in. (21.6 cm x 21.6 cm)
RFID Reader	5.25 in. x 4.5 in. (13.3 cm x 11.4 cm)
Read Range	up to 11 inches
Storage Temperature	-40°F to 131°F (-40°C to 55°C)
Humidity	0% to 85% RH, non-condensing



3M Track and Trace Solutions

3M Center Building 225-4N-14
St. Paul, MN 55144-1000
USA
1-800-944-3512
www.3M.com/RFID

Please recycle. Printed in U.S.A.
© 3M 2008. All rights reserved.
3M is a trademark of 3M
75-0500-6847-9

Shelving images provided by Spacesaver Corporation
© 2008 Spacesaver Corporation.
Spacesaver Corporation is a division of KI.
KI and Spacesaver are registered trademarks of Krueger International, Inc.