

Tamper-Resistant Substation

Features

- Two large buttons for instant contact to freely programmable extension numbers or features.
- Extremely rugged 1/4" machined metal front plate.
- No-penetration speaker grille. Protected microphone and amplifier.
- Built-in 45 Ohm loudspeaker.
- Excellent sensitivity and voice reproduction.
- Adjustable microphone sensitivity.
- Red "microphone open" LED.
- Screw terminals for easy connection of installation cables.
- Securely fastened front plate with tamper-resistant screws.

Description

This Tamper-Resistant Substation has an extremely rugged metal front plate of anodized, brushed aluminium. The substation has a unique design to protect the loudspeaker, microphone, LED indicator and internal electronics from external abuse.

The station flush-mounts on a back box. The metal front plate can be securely fastened to the box with 4mm tamper-resistant screws (provided) or pop rivets.

Both buttons can be programmed to call any extension number or feature - including Emergency Calls, All Calls - or call queuing to a Stentofon Control Room Master (CRM), MLH, or Call Handler System. The upper button is marked "Mus", as audio program distribution is often used.

The station has a built-in 45 Ohm loudspeaker. With a potentiometer located inside the casing, it is possible to adjust the microphone sensitivity according to the environmental conditions. The station has screw terminals with labels ensuring easy installation.

AlphaCom System



Specification

Order Number:	107 0601 020
Operating Voltage:	Powered from exchange
Cable Requirements:	2 pair 0.5 mm ² / 24 AWG twisted cable
Temperature Range:	+10° C to +40° C -50° F to +104° F
Non-Condensing Humidity Range:	10% - 85% RH
Dimensions: (H x W x D):	140 x 190 x 63 mm 5.5" x 7.5" x 2.5"
Weight:	1 kg / 2.2 lb
Finish:	Frontplate: 1/4" machined, anodized brushed aluminium
Max. Loudspeaker Output:	1 .4W / 45 Ohm
Loudspeaker Impedance:	45 ohm
Frequency Range:	300 - 5000 Hz (±15 dB)
Sound Pressure at 1m: Internal Loudspeaker	68 dB (0.5 mm cable x 100 m, 2.5V on subscriber board , 1 kHz)
Connector Type:	Screw terminals
Indicator:	LED (red)



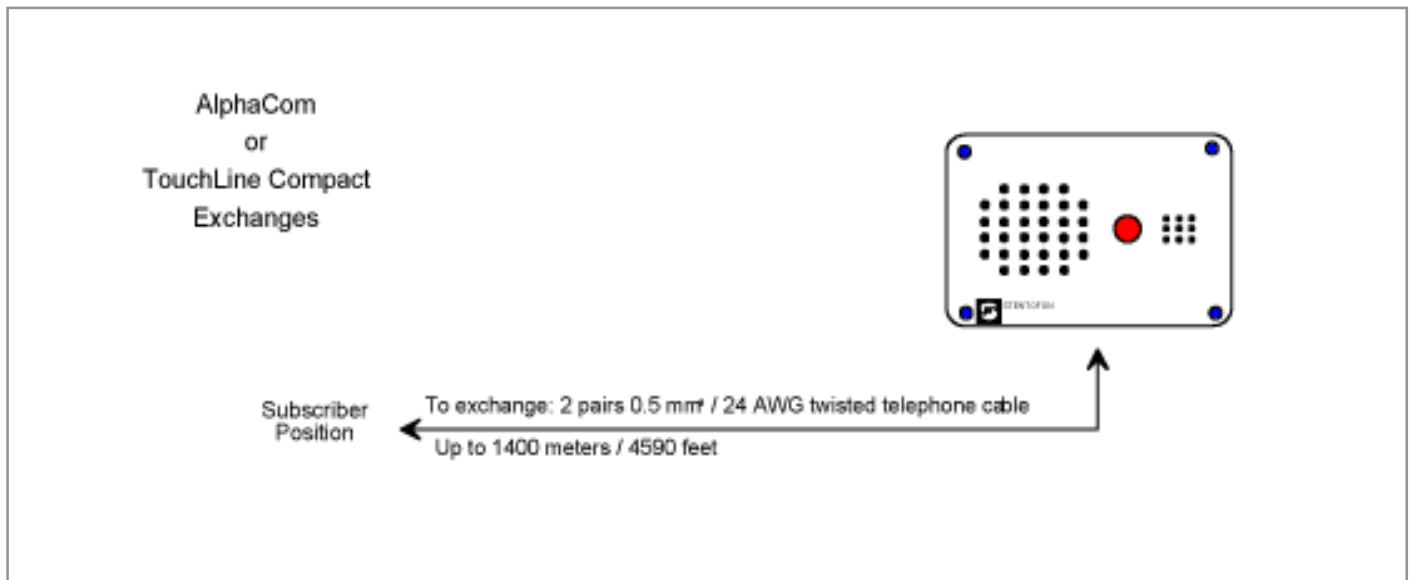
STENTOFON

107 0601 020

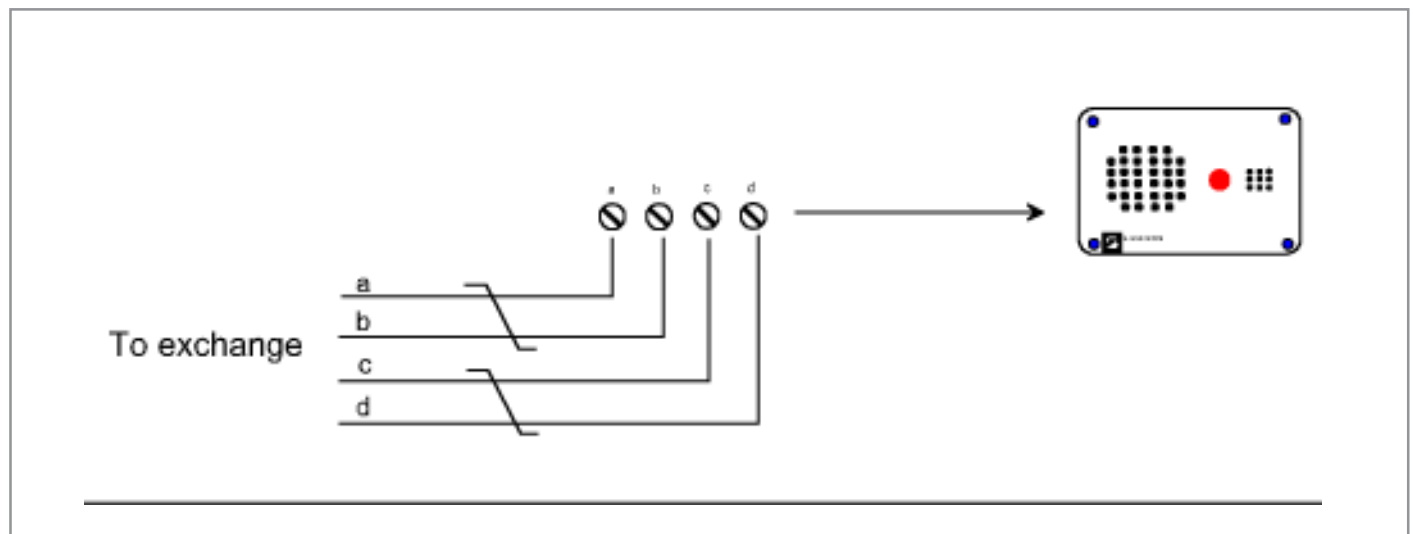
STENTOFON products are developed and marketed by ZENITEL NORWAY ASA. The company's Quality Assurance System is certified to meet the requirements in NS-EN ISO 9001:2000. ZENITEL NORWAY ASA reserves the right to modify designs and alter specifications without prior notice, in pursuance of a policy of continuous improvement.

Tamper-Resistant Substation

Installation



Wiring

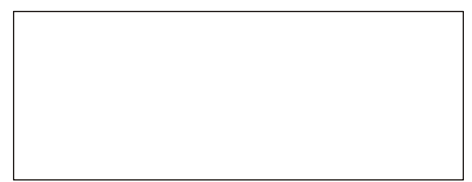


Ordering information

Order Number	Description	Ship Weight metric/imperial
107 0601 020	Tamper-Resistant Substation with 2 Call-in buttons (to call second master or music distribution)	1.15 kg / 2.53 lb
Supplementary equipment:		
100 0629 700	Flush Mount Back Box (4 mm screw threading)	0.7 kg / 1.5 lb
100 0629 800	Surface mount back box	



Zenitel Norway ASA
www.zenitel.biz
css@zenitel.biz



PRINT NO 100 0080 120

VERSION 011003