



## UPA Power Supplies/Transformers



- ▶ Provides efficient, constant power for CCD and MegaPixel cameras, keyboards and other low power usage products
- ▶ Models are exceptionally energy efficient
- ▶ Meet or exceed International Energy Efficiency Level IV requirements
- ▶ 24 VAC and 12 VDC secondary output models
- ▶ Screw terminals for ease of installation on some models
- ▶ 120 VAC and 230 VAC power source models
- ▶ Safety agency certified

The Bosch UPA Series of Power Supplies is designed specifically for the continual use demands of professional surveillance products. While UPA models are used primarily with security cameras, their small size and high energy efficiency rating also make them ideal for powering a wide range of other low power security products, including many Allegiant® system accessories and control devices.

The UPA 60 Hz models are designed specifically to meet the strict efficiency standards and laws being adopted in the United States. These efficient power supplies meet or exceed the International Energy Efficiency Level IV requirements.

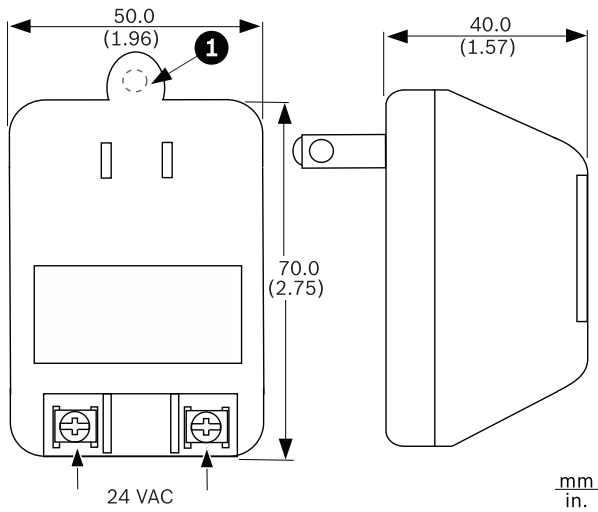
### Certifications and Approvals

Electromagnetic Compatibility (EMC)	Complies with FCC Part 15, ICES-003, and CE regulations
Product Safety	Complies with CE regulations, UL, CSA, EN, and IEC standards
Energy Efficiency	Meets Energy Efficiency Level IV

### Technical Specifications

Model No.	Rated Input	Rated Output
UPA-2410-60	120 VAC, 60 Hz	24 VAC, 60 Hz, 10 VA
UPA-2430-60	120 VAC, 60 Hz	24 VAC, 1.25 A, 30 VA
UPA-12300-60	120 VAC, 60 Hz	12 VDC, 300 mA
TC1382	24 VAC, 50/60 Hz	24 VAC, 50/60 Hz, 7 VA
UPA-2420-50	220-240 V, 50 Hz	24 V, 20 VA
UPA-2450-60	120 VAC, 60 Hz	24 VAC, 60 Hz, 50 VA
UPA-2450-50	230 VAC, 50 Hz	24 VAC, 50 VA
UPA-1220-60	100-240 VAC, 50/60 Hz	12 VDC, 1A, regulated
UPA-1220-50	100-240 VAC, 50/60 Hz	12 VDC, 1A, regulated
UPA-1509-60	120 VAC, 60 Hz	15 VDC, 600 mA
UPA-1509-50	220-240 VAC, 50/60 Hz	15 VDC, 600 mA

**UPA-2410-60**



UPA-2410-60 Power Supply

1 Legacy mounting tab

**Electrical**

Rated Input	120 VAC, 60 Hz
Rated Output	24 VAC, 60 Hz, 10 VA

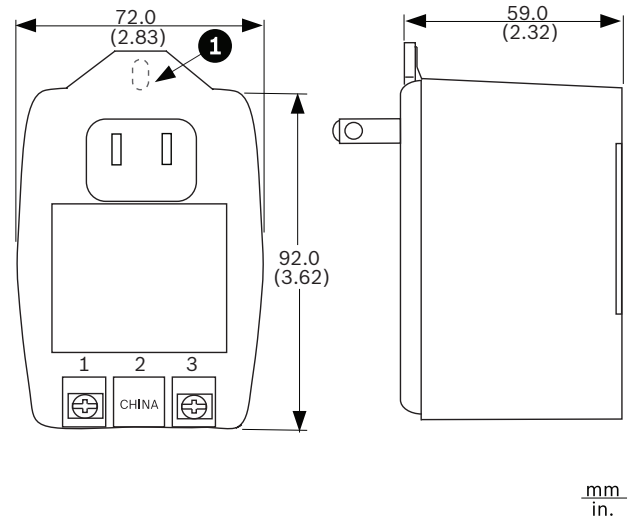
**Mechanical**

Input Connectors	2-prong, North American standard (non-polarized)
Output Connectors	Two (2) screw terminals
Construction/Finish	Black plastic case
Dimensions (W x D x H)	50 x 40 x 70 mm (1.96 x 1.57 x 2.75 in.)
Weight	0.25 kg (0.56 lb)
Recommended Use	24 VAC compact CCD cameras

**Environmental**

Operating Temperature	-10°C to 40°C (14°F to 104°F)
Storage Temperature	-30°C to 75°C (-22°F to 167°F)
Humidity	30% to 85% relative

**UPA-2430-60**



UPA-2430-60 Power Supply

1 Legacy mounting tab

**Electrical**

Rated Input	120 VAC, 60 Hz
Rated Output	24 VAC, 1.25 A, 30 VA

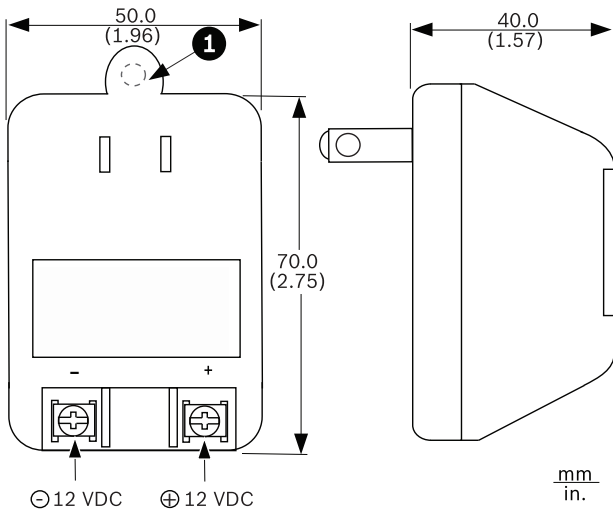
**Mechanical**

Input Connectors	2-prong, North American standard (non-polarized)
Output Connectors	Two (2) screw terminals
Construction/Finish	Black plastic case
Dimensions (W x D x H)	66.5 x 56.5 x 91.5 mm (2.62 x 2.22 x 3.60 in.)
Weight	0.58 kg (1.28 lb)
Recommended Use	Medium power box cameras

**Environmental**

Operating Temperature	-10°C to 40°C (14°F to 104°F)
Storage Temperature	-30°C to 80°C (-22°F to 176°F)
Humidity	30% to 85% relative

**UPA-12300-60**



UPA-12300-60 Power Supply

1 Legacy mounting tab

**Electrical**

Rated Input	120 VAC, 60 Hz
Rated Output	12 VDC, 300 mA

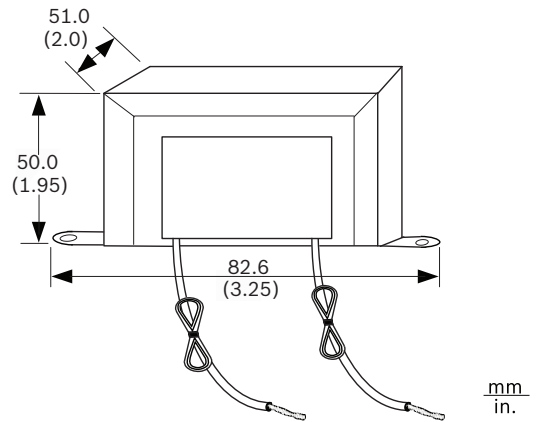
**Mechanical**

Input Connectors	2-prong, North American standard (non-polarized)
Output Connectors	Two (2) screw terminals
Construction/Finish	Black plastic case
Dimensions (W x D x H)	50 x 40 x 70 mm (1.96 x 1.57 x 2.75 in.)
Weight	0.20 kg (0.44 lb)
Recommended Use	Bosch Flexidome camera series (low power models only – no heater, no IP)

**Environmental**

Operating Temperature	-10°C to 40°C (14°F to 104°F)
Storage Temperature	-30°C to 75°C (-22°F to 167°F)
Humidity	30% to 85% relative

**TC1382 Isolation Transformer**



TC1382 Isolation Transformer

**Electrical**

Rated Input	24 VAC, 50/60 Hz
Rated Output	24 VAC, 50/60 Hz, 7 VA

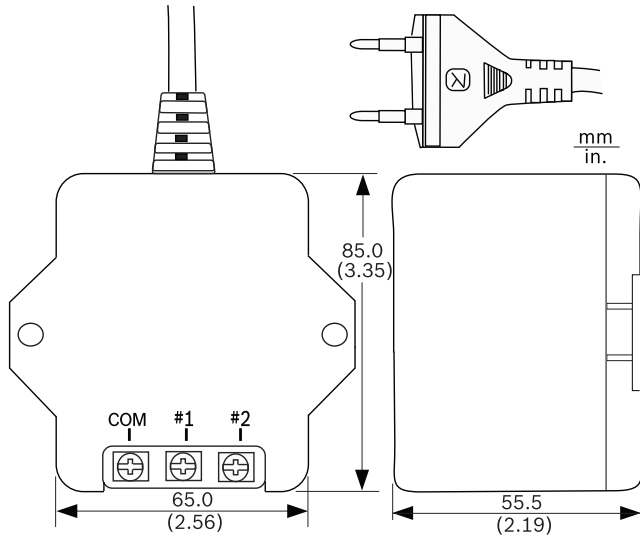
**Mechanical**

Input Connectors	Black wire leads, 203 mm (8 in.)
Output Connectors	Brown wire leads, 203 mm (8 in.)
Construction/Finish	Uncased
Dimensions (W x D x H)	82.6 x 51 x 50 mm (3.25 x 2 x 1.95 in.)
Weight	0.45 kg (1 lb)
Recommended Use	24 VAC isolation of low powered box cameras

**Environmental**

Operating Temperature	-10°C to 40°C (14°F to 104°F)
Storage Temperature	-30°C to 80°C (-22°F to 176°F)
Humidity	30% to 85% relative

**UPA-2420-50**



UPA-2420-50 Power Supply

**Electrical**

Rated Input	220-240 V, 50 Hz
Rated Output	24 V, 20 VA

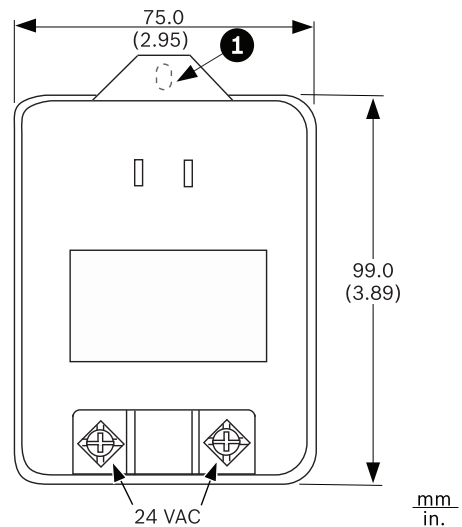
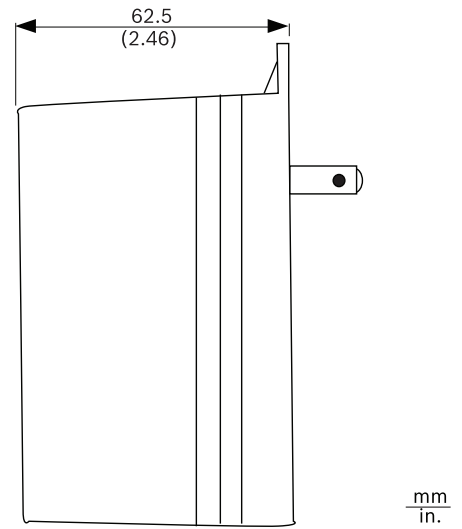
**Mechanical**

Input Connectors	2-prong, European Europlug standard (4 mm / 19 mm)
Output Connectors	Three (3) screw terminals
Construction/Finish	Black plastic case
Dimensions (W x D x H)	65.0 x 55.5 x 85.0 mm (2.56 x 2.19 x 3.35 in.)
Weight	0.78 kg (1.72 lb)
Recommended Use	Medium power box cameras

**Environmental**

Operating Temperature	-10°C to 40°C (14°F to 104°F)
Storage Temperature	-30°C to 80°C (-22°F to 176°F)
Humidity	30% to 85% relative

**UPA-2450-60**



UPA-2450-60 Power Supply

1 Legacy mounting tab

**Electrical**

Rated Input	120 VAC, 60 Hz
Rated Output	24 VAC, 50 VA

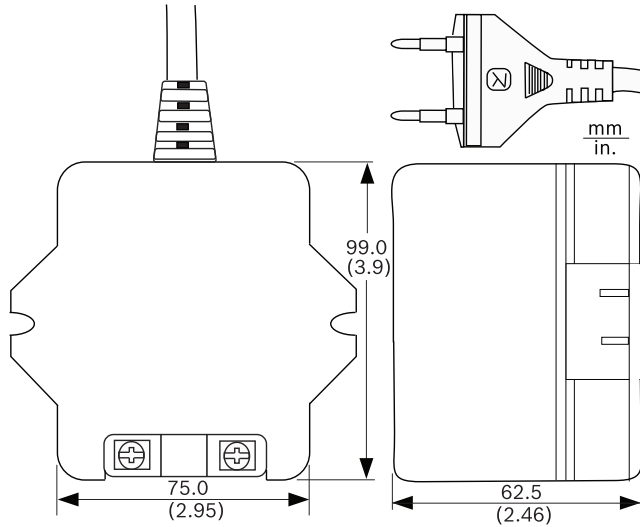
**Mechanical**

Input Connectors	2-prong, North American standard (non-polarized)
Output Connectors	Two (2) screw terminals
Construction/Finish	Black plastic case
Dimensions (W x D x H)	75.0 x 62.5 x 99.0 mm (2.95 x 2.46 x 3.89 in.)
Weight	0.84 kg (1.86 lb)
Recommended Use	Bosch KBE Series pre-package cameras

**Environmental**

Operating Temperature	-10°C to 40°C (14°F to 104°F)
Storage Temperature	-30°C to 80°C (-22°F to 176°F)
Humidity	30% to 85% relative

**UPA-2450-50**



UPA-2450-50 Power Supply

**Electrical**

Rated Input	230 VAC, 50 Hz
Rated Output	24 VAC, 50 VA

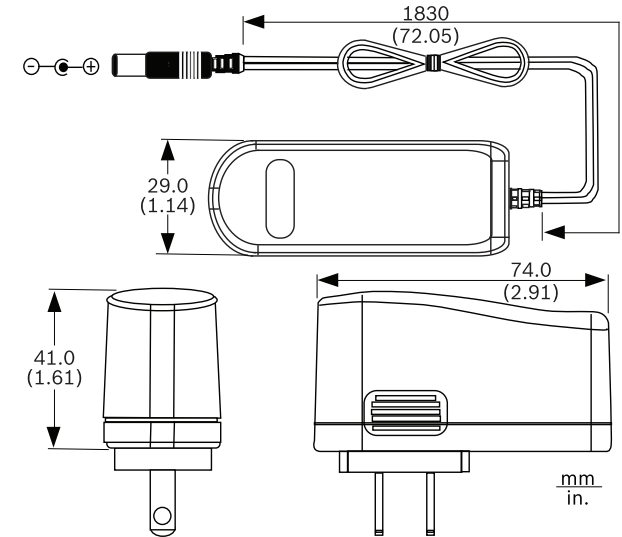
**Mechanical**

Input Connectors	2-prong, European Europlug standard (4 mm / 19 mm)
Output Connectors	Two (2) screw terminals
Construction/Finish	Black plastic case
Dimensions (W x D x H)	75 x 62.5 x 99.0 mm (2.95 x 2.46 x 3.9 in.)
Weight	1.16 kg (2.56 lb)
Recommended Use	Bosch KBE Series pre-package camera

**Environmental**

Operating Temperature	-10°C to 40°C (14°F to 104°F)
Storage Temperature	-30°C to 75°C (-22°F to 167°F)
Humidity	30% to 85% relative

**UPA-1220-60**



UPA-1220-60 Power Supply

**Electrical**

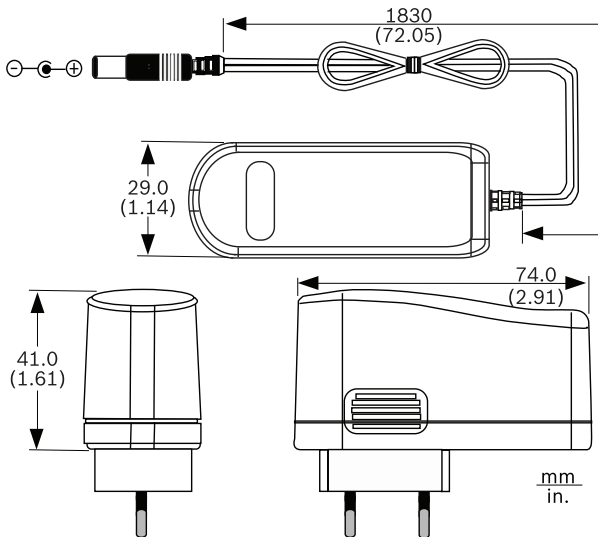
Rated Input	100-240 VAC, 50/60 Hz
Rated Output	12 VDC, 1.0 A, regulated

**Mechanical**

Input Connectors	2-prong, North American standard (non-polarized)
Output Connectors	2.1 x 5.5 x 10.0 mm plug (0.8 x 0.22 x 0.4 in.)
Construction/Finish	Black plastic case
Dimensions (W x D x H)	74.0 x 29.0 x 41.0 mm (2.91 x 1.14 x 1.61 in.)
Weight	0.12 kg (0.26 lb)
Recommended Use	Bosch megapixel cameras

**Environmental**

Operating Temperature	-10°C to 40°C (14°F to 104°F)
Storage Temperature	-30°C to 80°C (-22°F to 176°F)
Humidity	30% to 85% relative

**UPA-1220-50**

UPA-1220-50 Power Supply

**Electrical**

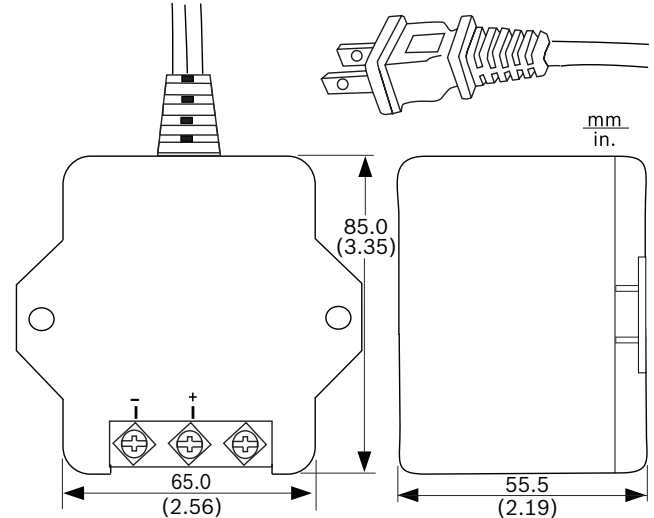
Rated Input	100-240 VAC, 50/60 Hz
Rated Output	12 VDC, 1.0 A, regulated

**Mechanical**

Input Connectors	2-prong, European Europlug standard (4 mm / 19 mm)
Output Connectors	2.1 x 5.5 x 10.0 mm plug (0.8 x 0.22 x 0.4 in.)
Construction/Finish	Black plastic case
Dimensions (W x D x H)	74.0 x 29.0 x 41.0 mm (2.91 x 1.14 x 1.61 in.)
Weight	0.12 kg (0.26 lb)
Recommended Use	Bosch megapixel cameras

**Environmental**

Operating Temperature	-10°C to 40°C (14°F to 104°F)
Storage Temperature	-30°C to 80°C (-22°F to 176°F)
Humidity	30% to 85% relative

**UPA-1509-60**

UPA-1509-60 Power Supply

**Electrical**

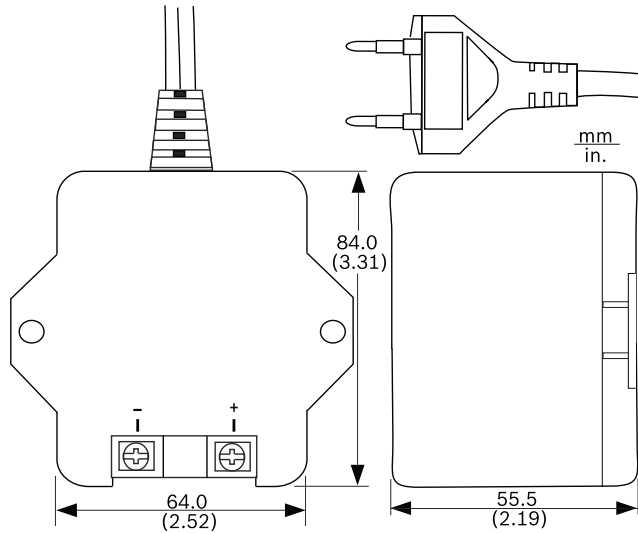
Rated Input	120 VAC, 60 Hz
Rated Output	15 VDC, 600 mA

**Mechanical**

Input Connectors	2-prong, North American standard (non-polarized)
Output Connectors	Three (3) screw terminals
Construction/Finish	Black plastic case
Dimensions (W x D x H)	64.7 x 53.8 x 84.7 mm (2.55 x 2.12 x 3.33 in.)
Weight	0.66 kg (1.46 lb)
Recommended Use	Bosch IntuiKey Series keyboards, LTC 8786 Series converters, LTC 8782 Series translators, LTC 8557 Series extension kits

**Environmental**

Operating Temperature	-10°C to 40°C (14°F to 104°F)
Storage Temperature	-30°C to 70°C (-22°F to 158°F)
Humidity	35% to 85% relative

**UPA-1509-50**

UPA-1509-50 Power Supply

**Electrical**

Rated Input	220-240 VAC, 50/60 Hz
Rated Output	15 VDC, 600 mA

**Mechanical**

Input Connectors	2-prong, European Europlug standard (4 mm / 19 mm)
Output Connectors	Two (2) screw terminals
Construction/Finish	Black plastic case
Dimensions (W x D x H)	64.7 x 53.8 x 84.7 mm (2.55 x 2.12 x 3.33 in.)
Weight	0.66 kg (1.46 lb)
Recommended Use	Bosch IntuiKey Series keyboards, LTC 8786 Series converters, LTC 8782 Series translators, LTC 8557 Series exten- sion kits

**Environmental**

Operating Temperature	-10°C to 40°C (14°F to 104°F)
Storage Temperature	-30°C to 80°C (-22°F to 176°F)
Humidity	30% to 85% relative

**Ordering Information**

<b>UPA-2410-60 Power Supply</b> 120 VAC, 60 Hz, 24 VAC, 10 VA Out	<b>UPA-2410-60</b>
<b>UPA-2430-60 Power Supply</b> 120 VAC, 60 Hz, 24 VAC, 30 VA Out	<b>UPA-2430-60</b>
<b>UPA-12300-60 Power Supply</b> 120 VAC, 60 Hz, 12 VDC, 300 mA Out	<b>UPA-12300-60</b>
<b>TC1382 Isolation Transformer</b> 24 VAC, 7 VA	<b>TC1382</b>
<b>UPA-2420-50 Power Supply</b> 220 VAC, 50 Hz, 24 VAC, 20 VA Out	<b>UPA-2420-50</b>
<b>UPA-2450-60 Power Supply</b> 120 VAC, 60 Hz, 24 VAC, 50 VA Out	<b>UPA-2450-60</b>
<b>UPA-2450-50 Power Supply</b> 220 VAC, 50 Hz, 24 VAC, 50 VA Out	<b>UPA-2450-50</b>
<b>UPA-1220-60 Power Supply</b> 120 VAC, 60 Hz, 12 VDC, 1 A Out, regulated	<b>UPA-1220-60</b>
<b>UPA-1220-50 Power Supply</b> 220 VAC, 50 Hz, 12 VDC, 1 A Out, regulated	<b>UPA-1220-50</b>
<b>UPA-1509-60 Power Supply</b> 120 VAC, 60 Hz, 15 VDC, 9 VA Out	<b>UPA-1509-60</b>
<b>UPA-1509-50 Power Supply</b> 220 VAC, 50 Hz, 15 VDC, 9 VA Out	<b>UPA-1509-50</b>

**Americas:**  
Bosch Security Systems, Inc.  
130 Perinton Parkway  
Fairport, New York, 14450, USA  
Phone: +1 800 289 0096  
Fax: +1 585 223 9180  
security.sales@us.bosch.com  
www.boschsecurity.us

**Europe, Middle East, Africa:**  
Bosch Security Systems B.V.  
P.O. Box 80002  
5600 JB Eindhoven, The Netherlands  
Phone: + 31 40 2577 284  
Fax: +31 40 2577 330  
emea.securitysystems@bosch.com  
www.boschsecurity.com

**Asia-Pacific:**  
Robert Bosch (SEA) Pte Ltd, Security Systems  
11 Bishan Street 21  
Singapore 573943  
Phone: +65 6258 5511  
Fax: +65 6571 2698  
apr.securitysystems@bosch.com  
www.boschsecurity.com

**Represented by**