



## Sensormatic® AMS-3003 Ultra•Loop™ 3 Meter System

Protect your assets with discrete anti-shoplifting protection

Obtain the anti-shoplifting protection you need without disturbing your store's appearance, merchandising displays or shopper traffic flow.

The Sensormatic AMS-3003 Ultra•Loop 3 Meter EAS (Electronic Article Surveillance) system helps preserve retail profits with one of the most discreet and effective anti-shoplifting solutions available. The AMS-3003 Ultra•Loop™ system installs around the doorway, under the floor and is virtually invisible.

The AMS-3003 Ultra•Loop 3 Meter System uses Ultra•Max® technology—the most defeat-resistant, reliable technology available—to detect Sensormatic hard tags and labels. It's the reason so many of the world's largest retailers choose Sensormatic EAS systems to reduce their shoplifting losses.

# Sensormatic® AMS-3003 Ultra•Loop™ 3 Meter System



With retailers focusing on providing a pleasant shopping experience, the AMS 3003 Ultra•Loop 3 Meter System is aesthetically pleasing...because the system is concealed within the doorframe. It also optimizes space for shopper traffic and merchandise displays because there are no pedestals or other fixtures. The exit remains free and clear.

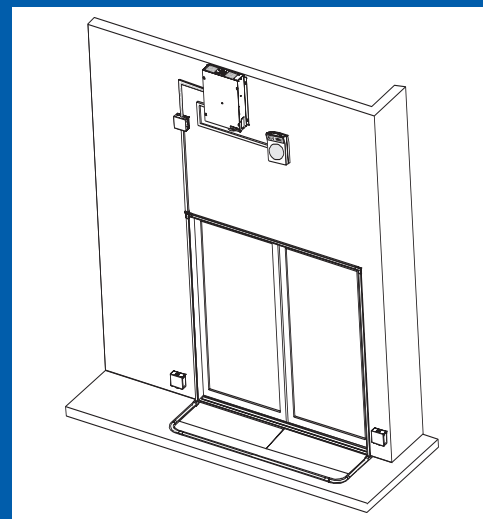
The AMS-3003 Ultra•Loop 3 Meter System is an ideal solution for high-end boutique stores, mall retailers, parking lot exits and many other locations. Discreetly protect exits from 2.13m (7') to 3m (10') in width while helping you preserve your store's décor.

### Tags And Labels Provide Deterrence

Shoplifters don't always have to see a system at the door to know the store is covered by a Sensormatic anti-shoplifting system. Hard tags or labels applied to merchandise signal would-be shoplifters that the store is fully protected. Sensormatic hard tags and labels are designed for optimal detection performance and ease of use.

### INVISIBLE PROTECTION WITH STYLE

- Helps protect your assets, which directly affect your bottom line and profits.
- Eliminates the objection to pedestals from aesthetically minded retailers.
- Provides a trustworthy shopping environment without sacrificing anti-shoplifting security due to the lack of pedestals.
- Can also deliver a more economical solution by utilizing a dual antenna configuration using only one controller. Retailers can cover two exits up to 18.3m (60') apart without having to purchase an additional controller. An optional second alarm can be added to provide individual zone coverage for each exit.
- Remote diagnostics capability can improve operating efficiencies.
- Integrating a POS network enables the capture of in-store transaction information via deactivation and system platforms.
- Provides installation flexibility when traditional pedestal systems cannot be installed.
- A CCTV system can interface to complex video systems and business intelligence (loss prevention software solutions) to combat internal shrink.



*The AMS 3003 Ultra-Loop 3 Meter System consists of a controller, transmit and receive antennas, and an alarm or message unit.*

**Product Code**

- ZALD-3 . . . . . AMS-3003 Ultra•Loop 3 Meter System
- ZALD-3x2 . . . . . AMS-3003 Dual Ultra•Loop 3 Meter System