

STENTOFON Operation Room Master Station



Features

- The station gives loud-speaking hands-free duplex communication from any location in the room - no one needs to leave their duty and all present staff can follow the conversation
- High quality intercom station designed to meet the standards of demanding hospital environments
- Excellent sound quality with 3" loudspeaker and ultra-sensitive electret microphone
- Hygienic, easily to clean and sterilize white Mylar covered faceplate
- Fully equipped master station with access to all STENTOFON AlphaCom features

AlphaCom system



Description

The Operation Room Master Station can be flush or surface mounted using tailored back boxes. The station is designed for ease of operation and excellent voice quality.

The front is designed for use in hospital operating theaters and other clean rooms, the Mylar cover eliminates crevices and allows easy wipe-down sterilization. The surface tolerates all common washing and sterilization detergents.

The station will operate on all STENTOFON systems and gives users the quality and reliability required in critical situations. The STENTOFON AlphaCom E is an advanced system with a high level of flexibility, audio quality, system management and supervision. Integration with other security and communication systems like access control, alarms, CCTV, public address and telephone systems is a key feature.

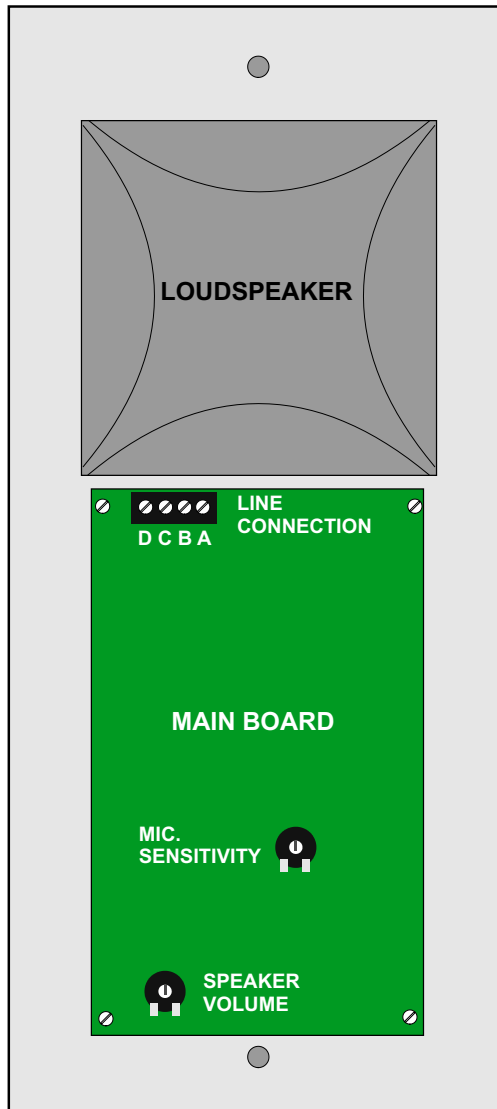
Specification

Dimensions (HxWxD):	280 x 125 x 66 mm
Face plate:	Aluminum covered with Bonded Mylar, Polyester speaker and microphone screens
Call buttons:	10 Digit buttons, 0-9 M (manual) and C (cancel)
Mounting:	Flush wall in back box type 100 0602 000 On-wall in back box type 100 0630 000
Temperature:	0 to +40°C environment
Humidity:	10% - 85% RH
Frequency range:	300 - 5000 Hz
Loudspeaker:	3", 63 ohm, 1.6 W, 88dB sensitivity
Output power:	1 W
Microphone:	100/300 mV, -65 dB @ 1kHz
Indicator:	Red LED for active station
Connectors:	Screw terminals
Cable requirements:	2 pairs 0.5 mm ² (24 AWG) max. 1400 m from exchange

STENTOFON

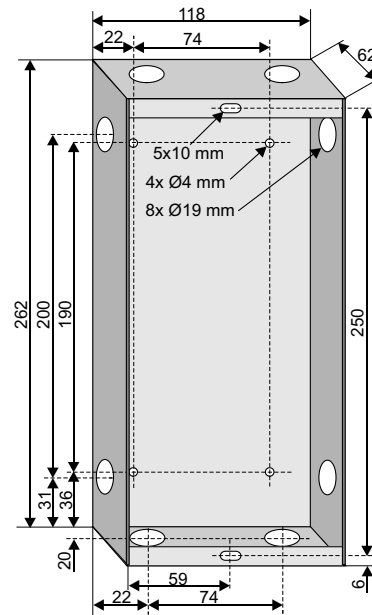
Operation Room Master Station

Connection

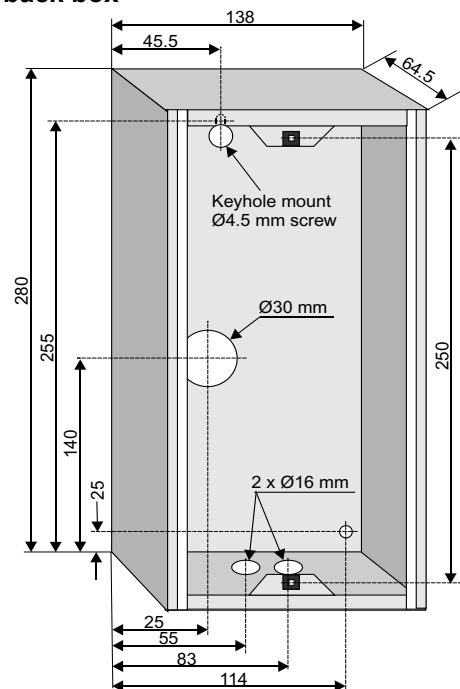


Mounting

Flush mount back box



On wall back box



Ordering information

Order Number	Description	Ship Weight
100 6036 600	Operating Room Master Station	0.8 kg
100 0602 000	Flush mount back box	0.6 kg
100 0603 000	Surface mount back box	1.0 kg



ZENITEL NORWAY AS
www.zenitel.com
marketing@zenitel.com

