

STENTOFON

Tamper and Vandal Proof Station, one button

Features

- Analogue intercom station specially designed for prison and correctional facilities
- Advanced safety solution including scream, assault and tamper alarms
- Vandal proof design with 2.5 mm steel front, sensor button, microphone/speaker protection and water resistant
- Integrated light signaling system
- Programmable I/O ports for controlling door status, lamps, TV sets, sensors and more
- Redundant backup for power and signaling



Description

The analogue Tamper and Vandal Proof Station type 100 7061 000 is designed specially for prisons and correctional facilities with safety and security for both guards and prisoners in mind.

The station is much more than a traditional intercom for prison cells. The station comes with inbuilt scream alarm, assault alarm, light signaling and external controls.

The front plate is in 2,5 mm stainless steel and equipped with one vandal proof sensor call button. If the prisoner in some way should manage to open the station, a tamper alarm will be triggered. If the station is disconnected, or the wires to the station are shorted, a request for action will be generated.

Call request from the cell, guard presence and alarm calls are indicated on the guard's intercom station as well as by signal lamps outside the cell and in the guard room.

The station works in a dual redundant mode. If the link to the intercom exchange fails, the lamp signaling will still work. If the lamp signaling fails, all intercom signaling will remain intact.

The sensitivity of the vandal proof sensor buttons can be set to 'normal' or 'high', where the latter is intended for use by guards wearing rubber gloves. In order to keep the sensitivity at the correct level, the stations must be installed in a dry, indoor location.

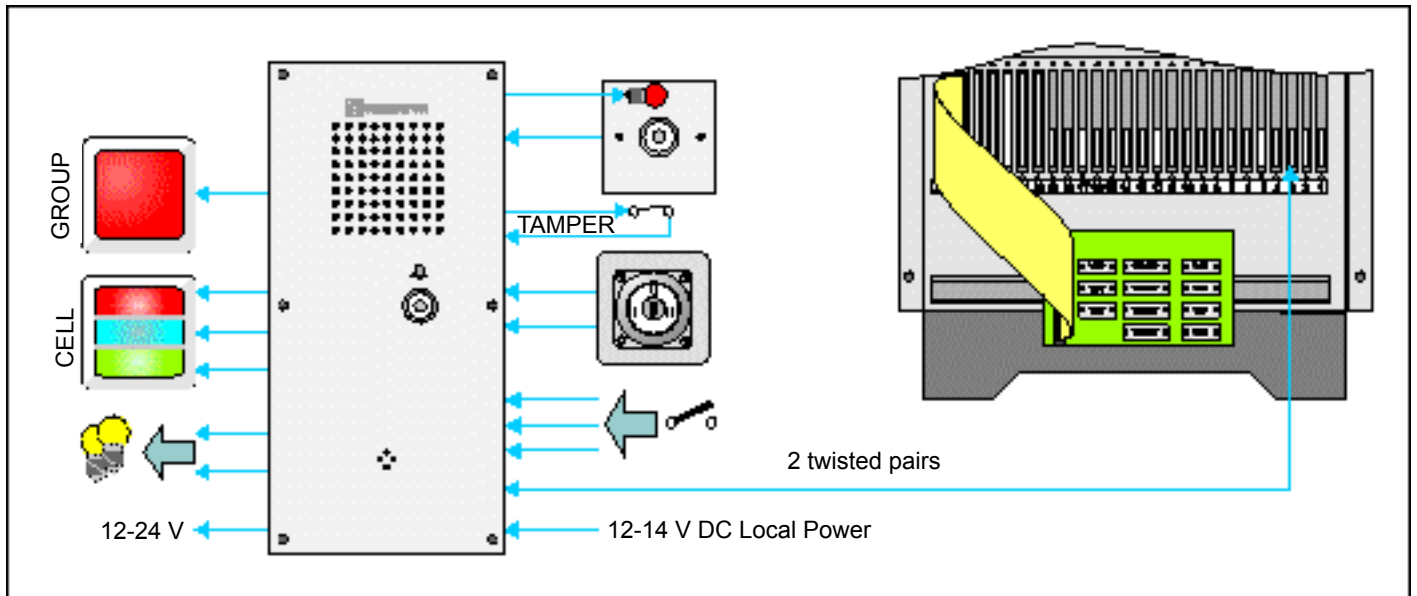
For cleaning purposes, the station is protected to IP65; fluid will not harm the station, but operation is only optimal when the surface is dry again.

Specification

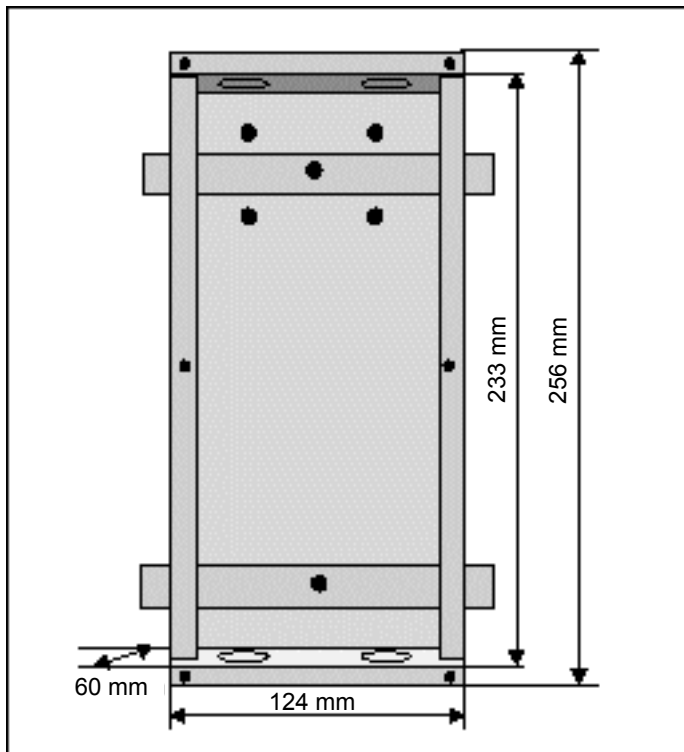
Order no:	100 7061 000
Dimensions WxHxD:	128 x 264 x 51 mm 5.0 x 10.4 x 2.4 in
Weight:	950 g / 2.1 lb
Finish:	2.5 mm brushed stainless steel
Mounting:	Flush in back box, 6 tamper proof screws
Button:	Vandal proof sensor type
Gen. purp. I/O ports:	3 x input - contact closure 2 x output - 24 VDC/1 A
Lamp outputs:	Call - present - tamper - group
Lamp drivers:	24 VDC/1 A overload protected
Operating Voltage:	24 (11-27) VDC
Cable Requirements:	2 pair twisted cable 0.5-0.6 mm ^Ø / 24 AWG
Temperature Range:	0°C to +40°C +32°F to +104°F
Humidity Range:	10% - 85% RH non condensing
Loudspeaker Output:	1 W RMS
Frequency Range:	200 - 10 000 Hz
Connector Type:	Plugable screw terminals
Back-box type:	LBB 7073/76

STENTOFON Tamper and Vandal Proof Station

Installation



Flush mount back box with ancors



Ordering information

Order Number	Description
100 7061 000	Tamper and Vandal Proof Station, one button
LBB 7073/76	Flush mount back box with ancors
Acquire locally	Cell terminal button, w/wo confirmation light, w/wo tamper switch
Acquire locally	Key switch, 2 or 3 pos
Acquire locally	Cell signal lamp, 2 or 3 chambers
Acquire locally	Group lamp, 1 chamber
Acquire locally	Cell light relay, 24 VDC, Static or bi-stable



ZENITEL NORWAY AS
www.zenitel.com
marketing@zenitel.com



A100K 10305 v1.2

AUGUST 2007