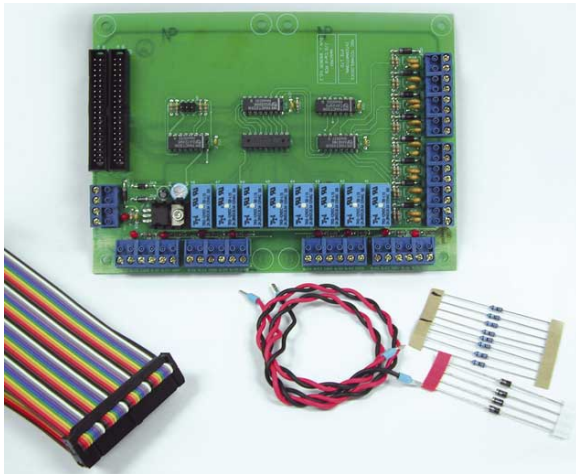




Extension 8 Input and 8 Output



- ▶ Provides Input and Outputs points extension for AEC or AEC Extension Enclosure
- ▶ Visual LED indicators providing diagnostic on-board
- ▶ Supports 8 input points
- ▶ Supports 8 form-C relay output points
- ▶ Up to a maximum of 4 AEC 8I8O EXT board can be supported by one Access Easy Controller.

To use for monitoring and control functions AEC systems, this extension board provides a system extension of input and output points. The AEC 8I8O EXT board is used in the AEC or AEC Extension. Each board provides 8 zones of end-of-line resistor type inputs and 8 form-C relay, dry contact, output points. This board is intended for non-reader type applications where it is desirable to monitor such things as emergency exit doors or intrusion motion detectors. The relay output points can be used to control external equipment, such as lights, gate motors, etc. (AMERICAS, APR, EMEA)

Functions

Configuration

Each AEC can support up to a maximum of four of this AEC 8I8O EXT boards allowing a maximum configuration of 32 inputs/outputs per AEC.

One AEC 8I8O EXT board can be added in the AEC 4W xxx enclosure. Any additional AEC 8I8O EXT boards (Board 2, 3 and 4) would be housed in the AEC Extension Enclosure.

Connections

The inputs are supervised with a 6.8 kOhm resistor, placed either in series or in parallel with the contact (depending if the contact is normally open or normally closed). The 6.8 kOhm resistors are also supplied with every AEC 8I8O EXT package.

The outputs are Form-C relay, dry contacts, rated at 24 VDC @ 1 Amp. Diodes should be installed across the DC load. Diodes are also supplied with every AEC 8I8O EXT package.

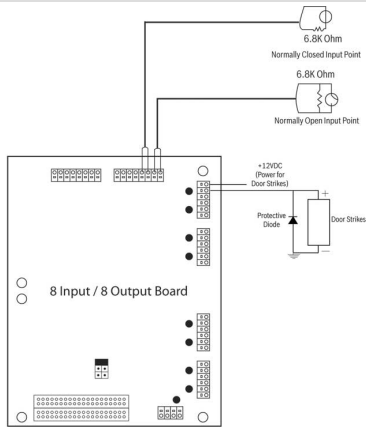
Two IDE data bus connectors are available on the AEC 8I8O EXT board. One connector is used to interface to the AEC - CPU board. The other is used to extend the data bus to the next AEC 4W EXT or AEC 8I8O EXT board.

Visual Indication

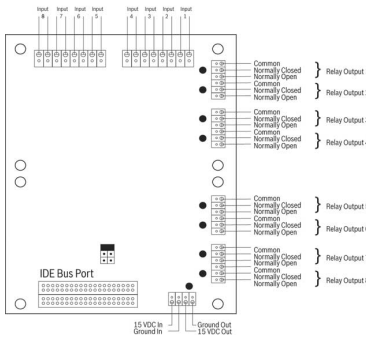
There are several LEDs on the AEC 8I8O EXT board that can be

used for diagnostic purposes. The LEDs indicate the presence of power, and the status of the input and output points.

Installation/Configuration Notes



8 Input / 8 Output Board
Board Address 1
Input / Output Address 1 to 8



Environmental

Relative Humidity	0% to 90% non-condensing
Temperature (Operating)	0 °C to +50 °C (32 °F to 120 °F)
Temperature (Storage)	0 °C to +55 °C (32 °F to 130 °F)

Inputs

Monitoring Points 8 supervised (6.8 kOhm) Door Contact Sensors

Outputs

Control Points 8 Form-C Relay Output rated at 24 V DC, 1 Amp

Ports

Bus expansion port: Two 40-pin IDE connectors

Power Requirements

Power Supply	+15 V DC
Backup Battery (Optional Backup Battery: Not included in standard package)	12 V DC, 7 Ah rechargeable battery

Ordering Information

Extension 8 Input and 8 Output **AEC-8180-EXT**
Access Easy Extension - 8 Input 8 Output Board, Fitting parts.

Parts Included

Quant.	Component
1	AEC 8180 EXT Board
1	IDE Interface Cable
1	Board mounting hardware accessories
8	6.8 kOhm resistors
8	Blocking Diodes
1	Installation Guide

Technical Specifications

Dimensions

Enclosure (W x H) 127 x 177 mm
(5 x 6.97 inch)

Europe, Middle East, Africa:
Bosch Security Systems B.V.
P.O. Box 80002
5600 JB Eindhoven, The Netherlands
Phone: + 31 40 2577 284
Fax: +31 40 2577 330
emea.securitysystems@bosch.com
www.boschsecurity.com

Americas:
Bosch Security Systems, Inc.
130 Perinton Parkway
Fairport, New York, 14450, USA
Phone: +1 800 289 0096
Fax: +1 585 223 9180
security.sales@us.bosch.com
www.boschsecurity.us

Asia-Pacific:
Bosch Security Systems Pte Ltd
38C Jalan Pemimpin
Singapore 577180
Phone: +65 6319 3450
Fax: +65 6319 3499
apr.securitysystems@bosch.com
www.boschsecurity.com

Represented by