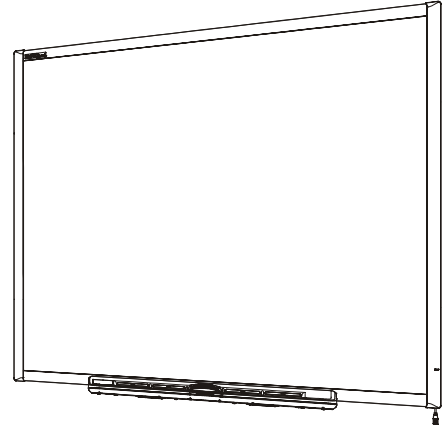


SMART Board™ Interactive Whiteboard

Specifications – Model 680

Physical Specifications

Size Interactive Whiteboard	65 1/4" W × 49 1/2" H × 5 1/8" D (165.7 cm × 125.7 cm × 13.0 cm)
Active Screen Area	65 1/4" W × 67 7/8" to 81 7/8" H × 40 3/8" D 77" diagonal (195.6 cm)
FS670 Floor Stand (with SB680 Installed)	54 3/4" W × 64" to 78" H × 40 3/8" D (165.7 cm × 172.4 cm to 208.0 cm × 102.5 cm)
Weight	30 lb. (13.6 kg)
Shipping Size	56" W × 73" H × 5 1/2" D (141.0 cm × 185.4 cm × 14.0 cm)
Shipping Weight	45 lb. (20.5 kg)
Shipping Size, 8 Units	57" W × 78" H × 45" D (143.5 cm × 198.1 cm × 114.3 cm)
Shipping Weight, 8 Units	380 lb. (172.7 kg)



All dimensions +/- 1/8" (3.2 mm). All weights +/- 2 lb. (0.9 kg).

Standard Features

Software	SMART Board software, including Notebook™ software. Free software upgrades are available at www.smarttech.com/support/software/index.asp .
Pen Tray	Optical sensors in the pen tray detect when a pen or eraser is lifted from the tray. LEDs show the active tool.
Pens and Eraser	Black, blue, red and green pen tray pens and a rectangular eraser
Resolution	Touch resolution is approximately 4000 × 4000
Screen Surface	The hard-coated polyester surface is tear proof, optimized for projection, compatible with dry-erase markers and is easily cleaned with whiteboard cleaner
Digitizing Technology	Analog resistive
Frame Finish	Two-tone gray (approximates Pantone® gray 18-0601) and Ultrasonic Chrome (approximates metallic Pantone 877c)
Wall-Mount Bracket	32" (81.3 cm) wide with five screws and drywall anchors to support a wall-mounted interactive whiteboard
Computer Connection	16' 5" (5 m) USB 2.0 cable
Power Requirements	Power is obtained from the computer directly through the USB cable for both Windows® and Macintosh computers. Power consumption is less than 1.5 watts (300 mA at 5V).
Certifications	CSA (Canada/U.S.), CE, CB (TUV)
Warranty	Five-year limited equipment warranty upon registration. See warranty document for details.

NOTE: A digital projector is not included with these models of SMART Board interactive whiteboards. To take advantage of all interactive features, you must integrate a digital projector.

SMART Board Software 9.5 Computer Requirements

Windows® Computers Pentium® II 450 MHz processor
128 MB of RAM (256 MB recommended)
136 MB of free hard disk space for minimum installation (511 MB for full installation with Gallery collections)
Windows NT® 4.0 (SP6), Windows 98 operating system or later
Microsoft Internet Explorer® 6.0 or later
Macromedia® Flash® player version 8
NOTE: The AirLiner™ wireless slate requires the Windows 2000 or Windows XP operating system.

Requirements for SMART Video Player Pentium II 450 MHz processor (700 MHz or faster recommended)
Windows 98 operating system or later. Does not run on the Windows NT operating system.
Microsoft® DirectX® technology 8.1 or later

Mac Computers 700 MHz processor (1 GHz or faster recommended)
128 MB of RAM (256 MB recommended)
Mac OS X versions 10.3.9 and 10.4.x
148 MB of free hard disk space for minimum installation (423 MB for full installation with Gallery collections)
Safari™ 1.3.2 or later
SMART Board software version 9.5 supports Intel® processors (Universal Binary)

Linux Computers Pentium II 450 MHz processor
128 MB of RAM (256 MB recommended)
185 MB of free hard disk space for minimum installation (460 MB for full installation with Gallery collections)
Linux kernel version 2.6 or later
X Windows version 11 release 6 (X11R6) or later (must support XRENDER and Xinerama)
glibc 2.3.3 (gcc 3.4.2)
libstdc++6
Gnome 2.8.0+ or KDE® 3.3+ libraries (recommended)
SUSE® 10, Red Hat® Enterprise Linux 4 WS or Fedora™ Core 3+

NOTE: Other versions of SMART Board software are available for Unix and Linux operating systems, as well as for earlier versions of Windows and Mac operating systems. To download a previous version of SMART Board software, go to www.smarttech.com/support/software/index.asp.

Storage and Operating Specifications

Storage -40°F to 120°F (-40°C to 50°C) with up to 95% humidity non-condensing
Operation 41°F to 95°F (5°C to 35°C) with up to 80% humidity non-condensing

SMART Order Number

SB680 48" (121.9 cm) diagonal SMART Board Interactive Whiteboard

Optional Accessories

Part Number	Description	NA	UK	EU	AU
CCJ680	Padded cover with handles for the SMART Board 680 interactive whiteboard				
HSCJ-680	Hard shipping case for the SMART Board 680 interactive whiteboard and the FS670 floor stand				
FS670	Mobile floor stand with 4" (10.2 cm) lockable casters and flip-up anti-tip feet				
WMCM-680	Wall-mounted cabinet for the SMART Board 680 interactive whiteboard				
PMWT-680	Projector wall mount for an NEC WT600 or WT610 projector				
RS232-XX*	RS232 to USB conversion module that allows a serial connection to the interactive whiteboard as an alternative to USB	✓	✓		
WC6-XX*	Wireless Bluetooth connection between the SMART Board interactive whiteboard and the computer	✓	✓		
SBA-XX*	USB audio system with two 15 watt speakers that mount to the interactive whiteboard or wall	✓	✓		✓
SYSON6-XX*	SystemOn expansion module wakes up the computer and turns on the projector with one button press	✓	✓		
USB-GW	GoWire™ SMART Board software auto-launch USB cable				
USB-XT	16 1/2' (5.0 m) USB active extension cable				
CAT5-XT	USB to Cat 5 cable extender set				
20-00653	Set of four pen tray pens (black, red, blue and green) and rectangular eraser				
STYF-005-00	Set of four pen tray pens (black, red, blue and green)				

* Part numbers ending in XX have power supplies for those countries or regions, as indicated by ✓ in the columns to the right. When ordering, substitute the XX in the part number with the country code as follows:

NA = Canada and U.S.
 UK = United Kingdom
 EU = European Union
 AU = Australia

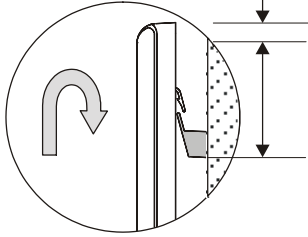
SMART Technologies Inc.
 1207 – 11 Avenue SW, Suite 300
 Calgary, AB T3C 0M5
 CANADA
 Phone +1.403.245.0333
 Toll Free 1.888.42.SMART (Canada/U.S.)
 info@smarttech.com www.smarttech.com



SMART Board™ Interactive Whiteboard

Specifications – Model 680

Leave at least 5/8" (1.6 cm) headroom to wall mount the SB680

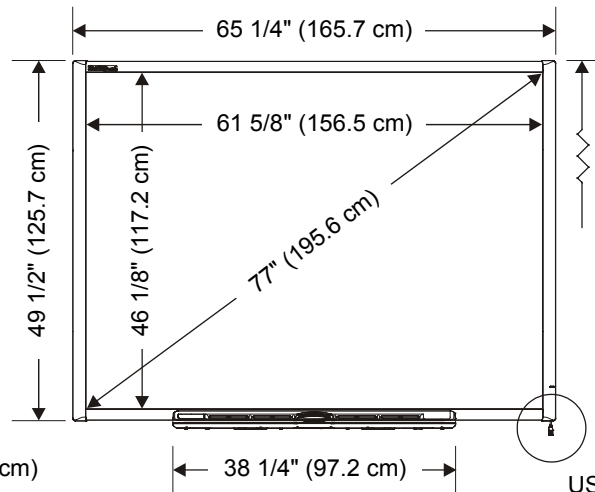


Distance from the bottom of the wall mount bracket to the top of an installed interactive whiteboard is 4 1/4" (10.8 cm)

Wall Mounted Cut Away View



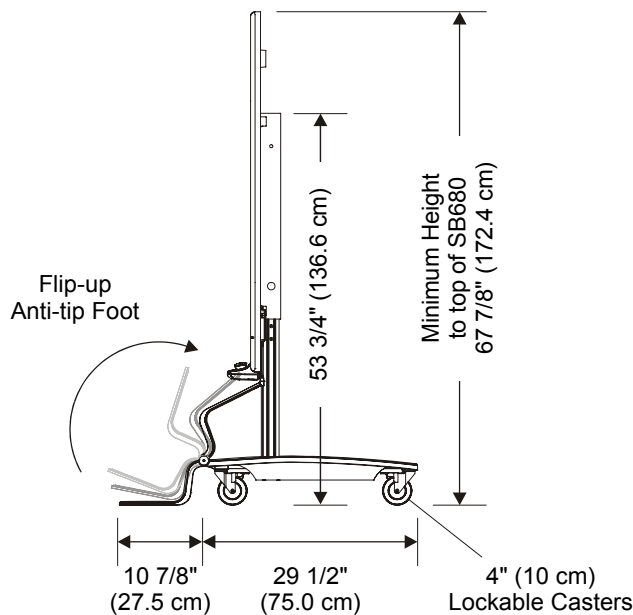
Wall Mounted Side View



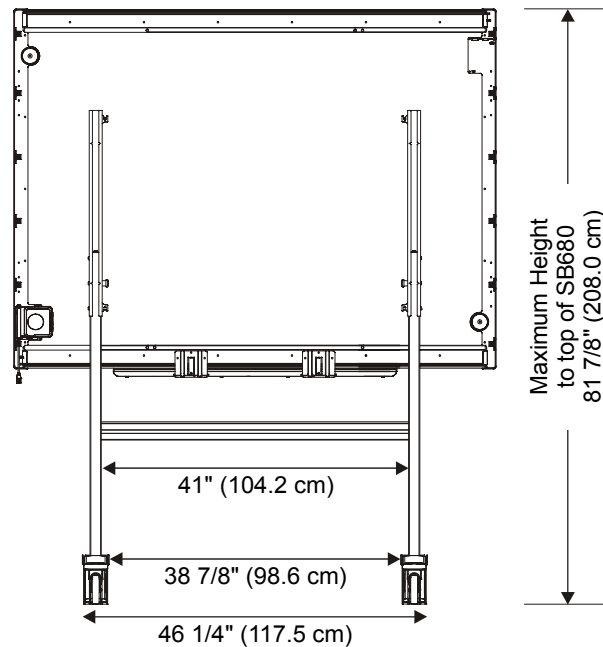
Wall Mounted Front View

Recommended wall-mounted installation height to top of SB680 for average sized adults is 81 3/4" (207.6 cm)

USB Connection Location



Floor Stand Mounted Side View (lowest position)



Floor Stand Mounted Back View (highest position)

All dimensions +/- 1/8" (0.3 cm)

