

STENTOFON Console Master Station



Features

- Fully equipped analogue master station with free access to all extensions and features
- Eight freely programmable single touch keys
- 2 x 16 character alphanumeric display
- Conformity with the latest STENTOFON station design with rugged front plate in anodized brushed aluminium and silicone rubber keypad
- Private / Open switch
- Red 'microphone live' lamp
- Equipped with noise cancelling gooseneck microphone
- Built-in 63 Ohm / 1 W loudspeaker
- Adjustable loudspeaker volume
- Excellent sound quality



Description

The 7043 station is a fully equipped analogue master station with free access to all extensions and features.

The station includes programmable single touch keys and a 2 x 16 character alphanumeric display providing caller identification, on-line help and a directory service amongst other features.

This master station is designed for both flush and surface mounting; in- and on-wall back boxes are available for this purpose. The station can also be flush mounted into a desk.

A typical application area is small control room applications.

A modular jack plug on the station facilitates quick and easy connection. A CAT3 or higher, or a 2-pair 0.5 mm² twisted telephone cable is required between the exchange and the station. The maximum distance is 1.4 km with 0.5 mm² cable. Longer distances are possible by using heavier wires.

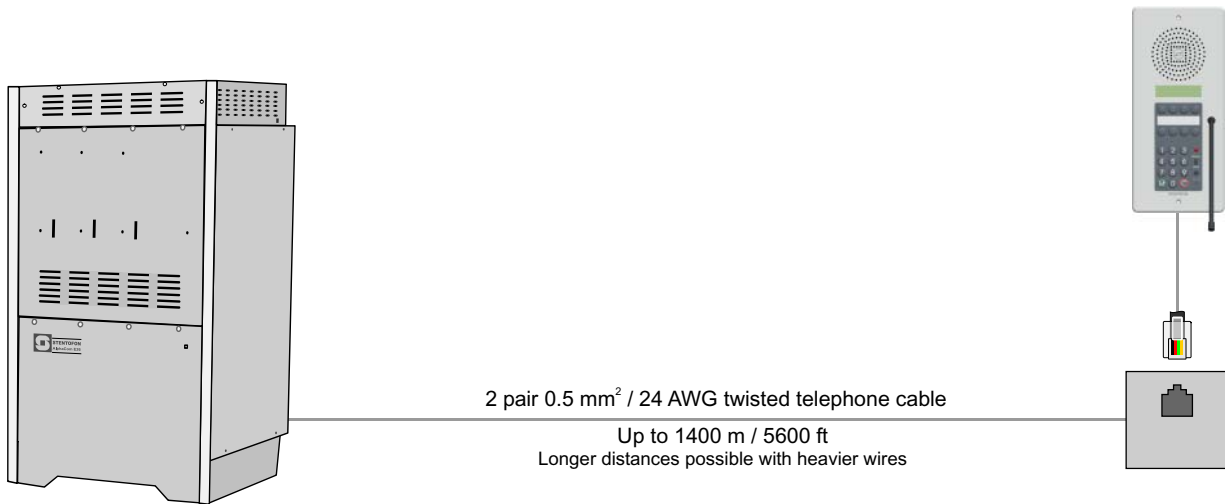
The station is equipped with a sensitive electret microphone and a 1 W loudspeaker. The loudspeaker volume is easily adjustable on the station front.

Specification

Order Number:	100 7043 000
Operation Voltage:	Powered from exchange
Cable Requirements:	2 pair twisted cable 0.5 mm ² / 24 AWG.
Temperature Range:	0° C to +40° C
Humidity Range:	10% - 85% RH (non condensing)
Dimensions: (WxHxD):	125 x 280 x 53 mm
Finish:	Anodized brushed aluminium
Loudspeaker Output:	1 W
Loudspeaker Imp:	63 Ohm
Frequency Range:	300 - 5000 Hz
Loudspeaker Sound Pressure Level:	75 dB @ 1 KHz, 2.5 V _{RMS} on ab-wire, 100 m 0.5 mm ² cable
Connector Type:	RJ45 Modular Jack
Indicator:	LED (red)

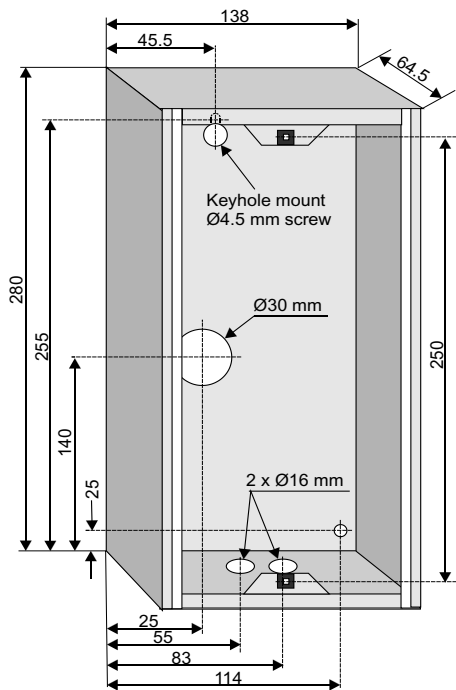
STENTOFON Console Master Station

Connection

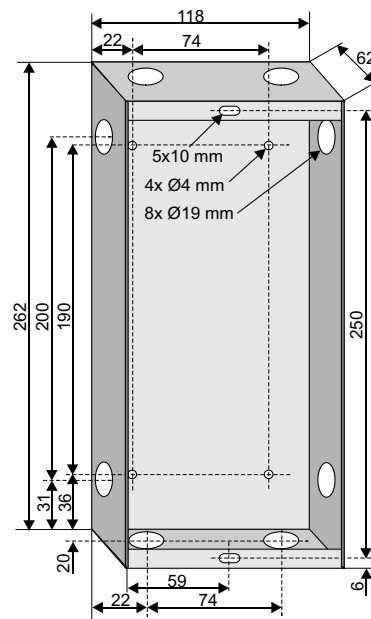


Mounting

On wall back box



Flush mount back box



Ordering information

Order Number	Description	Ship Weight
100 7043 000	Console Master Station	0.8 kg
100 0602 000	Flush mount back box	0.6 kg
100 0603 000	Surface mount back box	1.0 kg



ZENITEL NORWAY AS
www.zenitel.com
marketing@zenitel.com

