

EN | LHM 0606/10
Instructions for use

Security Systems



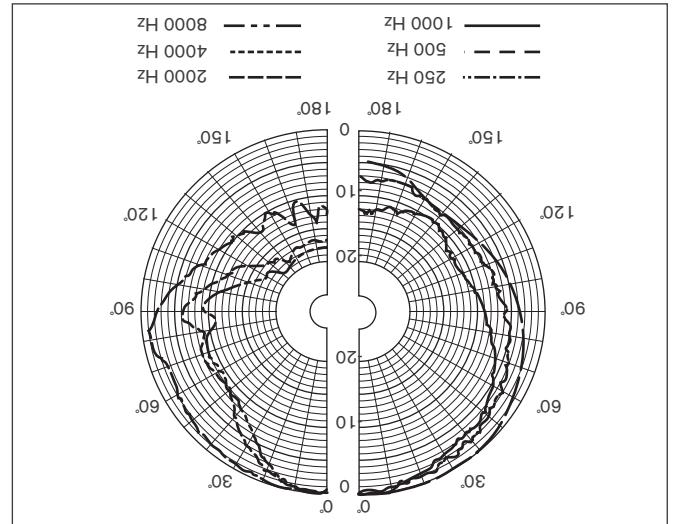
Loudspeakers

Technical performance data acc. to IEC 268-5

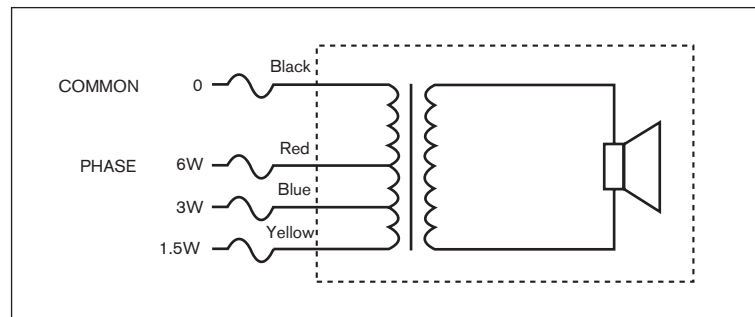
LHM 0606/10

Max. power	9 W
Rated power (PHC)	6 W (6-3-1.5 W)
Sound pressure level at 6W/1W (at 1kHz, 1 m)	92 dB/ 84 dB (SPL)
Effective frequency range (-10 dB)	80 Hz to 18 kHz
Opening angle (at 1 kHz/4 kHz, -6 dB)	175° / 55°
Rated voltage	100 V
Rated impedance	1667 ohm
Speaker size	6"
Ambient temperature range	-25° to +55° C
Safety	acc. to EN 60065
Dimensions (dia x max. depth)	199 x 70.5 mm
Mounting cut-out dia.	165 mm
Colour	White (RAL 9010)
Weight	620 g
	LBC 3080/01
Dimensions (dia x max. depth)	147 x 87 mm
Certified B15	acc. to DIN 4102
Colour	White (RAL 9010)
Weight	360 g

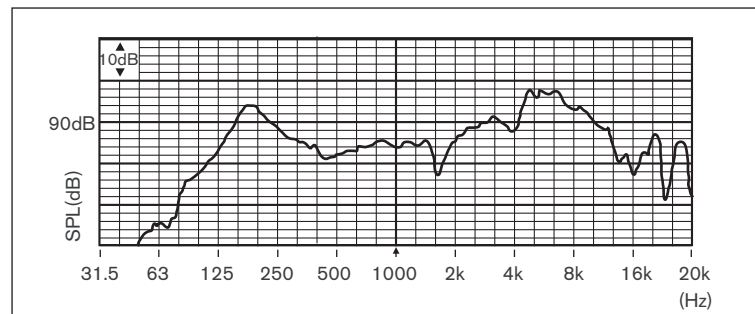
Polar diagram (measured with pink noise)



LHM 0606/10

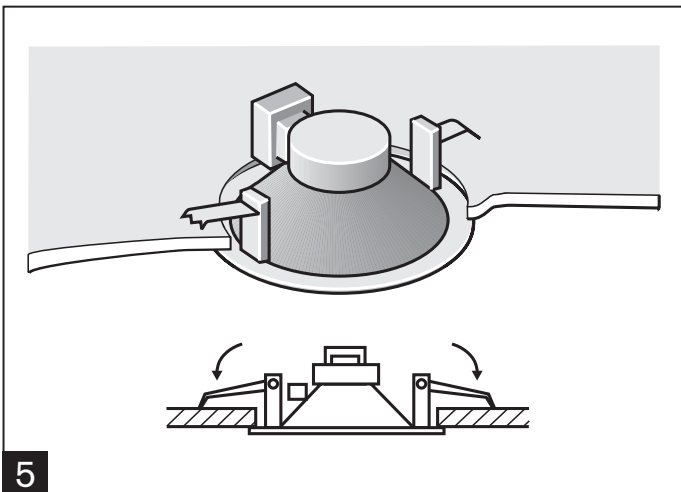
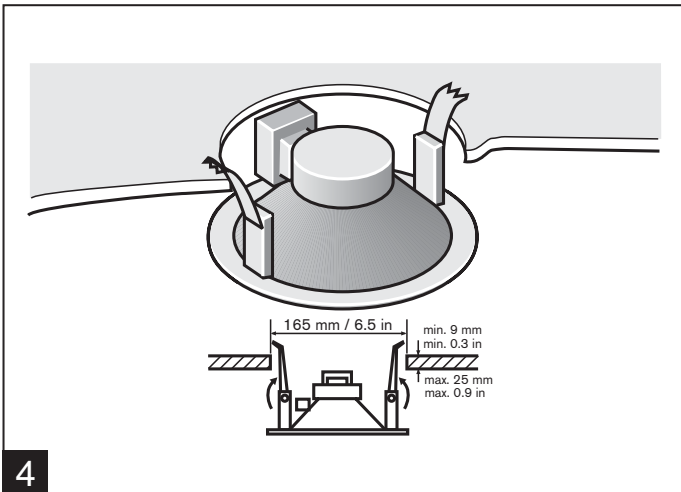
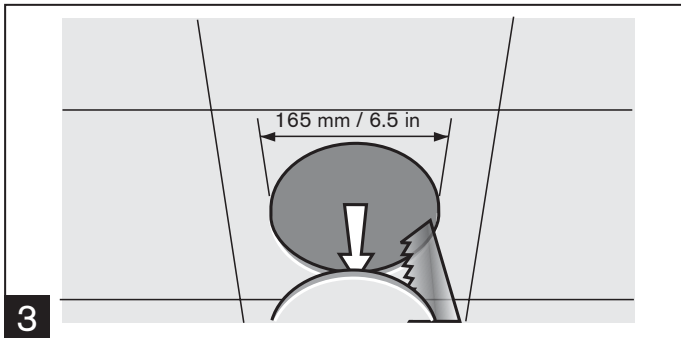
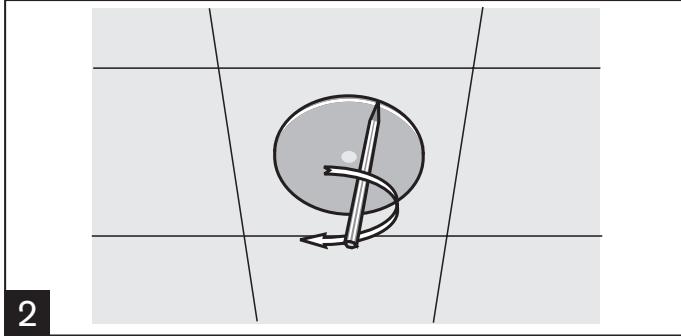
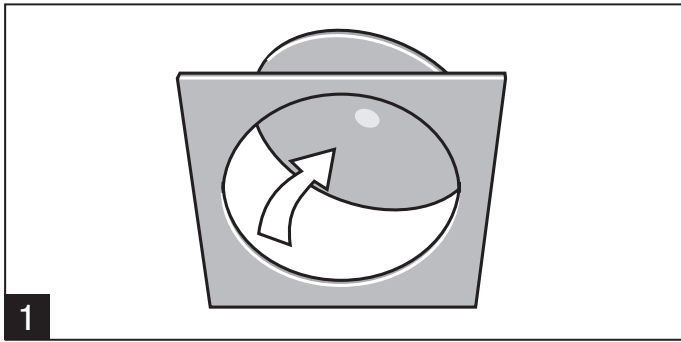


Circuit diagram



Frequency response

Mounting



Connection

